



## TorqTech Product Line Ergonomic, Low Speed Motor Attachments

 J MORITA MFG. CORP.

Thinking ahead. Focused on life.

  
MORITA



TORQTECH  
C.L.O.C.D.  
SN Y 40044

---

## Features at a Glance

---

- **Slim and Ergonomic Design**

TorqTech attachments are perfectly balanced.

- **Lightweight, Reduces Fatigue**

New features reduce the stress of drilling, especially when removing old fillings or to perform large preparations.

- **Durable Chuck**

The chuck offers a strong grip on the bur and is long lasting.

- **Smooth Surface Finish**

The surface of the attachments is corrosion resistant.

- **Efficient Spray Filter**

The contra angles are suitable for a LED source and also have a water filter to prevent clogging of the water spray lines.

- **Maximum Illumination**

The glass rod light guide minimizes loss of light intensity.



---

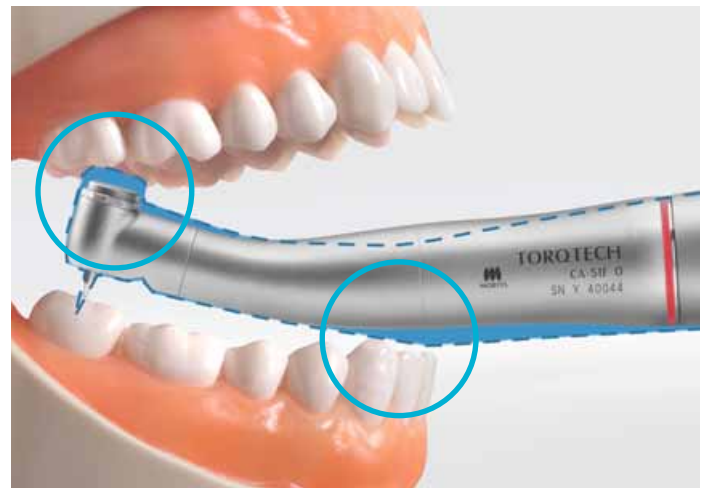
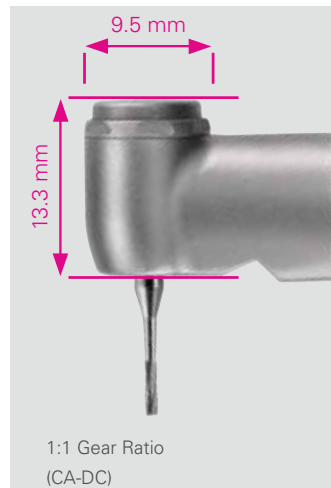
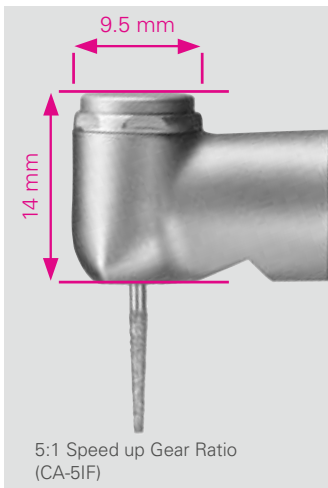
# Compact Head & Body

## Refined Technology for All Treatment Areas

---

### TorqTech Attachments:

1:1 Straight (ST-DH), 1:1 Contra Angle (CA-DC),  
and 5:1 Speed Up Contra Angle (CA-5IF)



Handling Comparison of TorqTech and Morita's CA-I. Dotted lines and shaded areas show difference in shape.

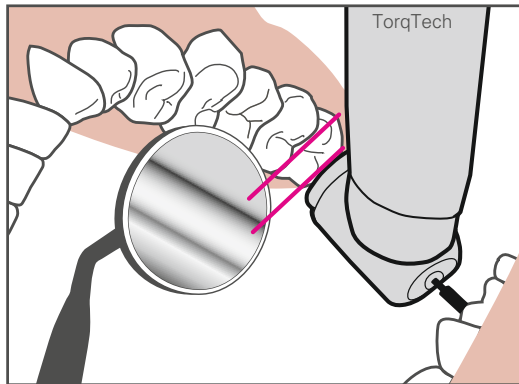
TorqTech attachments are compact and perfectly balanced with a smooth surface finish. Ergonomically designed, they offer easy access to the treatment area and are more comfortable for both the dentist and patient.

---

# Handling excellence

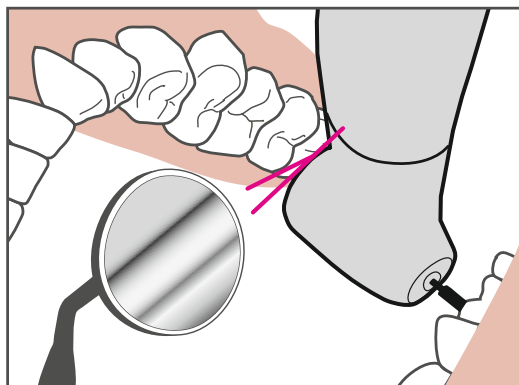
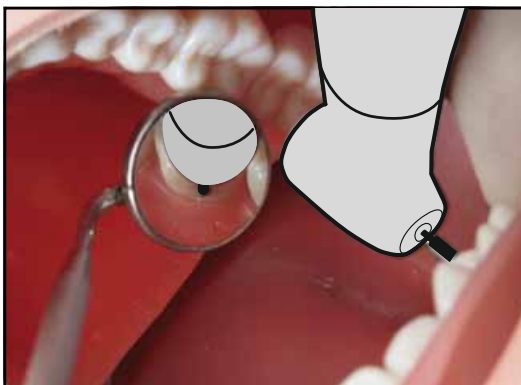
---

## Handling Comparison of TorqTech and Standard sized head



### TorqTech

The smaller head is more comfortable for patients and offers better access in the posterior region. It is especially helpful when the patient has limited opening.



### Standard sized head

A standard sized head is generally taller and strikes opposing teeth in the treatment area. The sensation of this can be stressful and uncomfortable for patients.

---

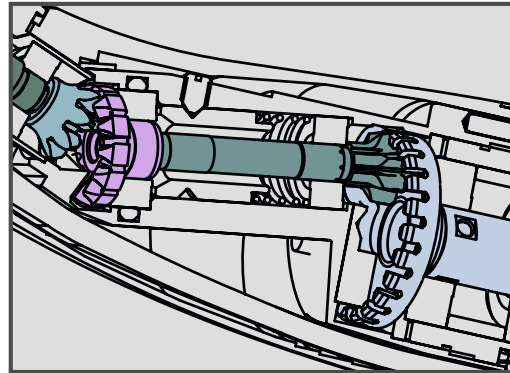
# TorqTech Attachments: Advanced Design Features

---

Morita's ideal handpiece is light, compact and well-balanced.  
TorqTech is the latest expression of these ideals.

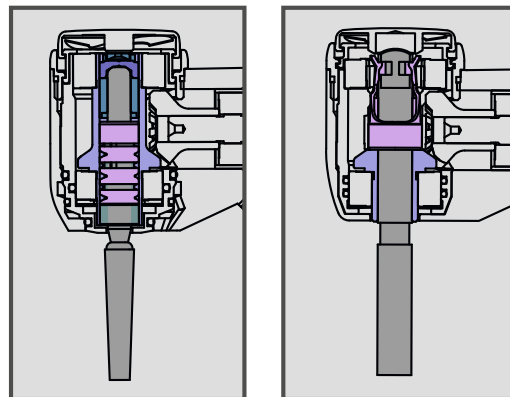
## Durable and Efficient

TorqTech attachments use a new, high-precision gear system, which reduces rotation noise and bur wobble. These new features make preparation of large cavities quicker and easier to accomplish.



## Sturdy Chuck and Smooth Surface Finish

The chuck has a strong grip on the bur and is long lasting. The surface of the attachment is durable, corrosion-resistant and more resistant to wear and tear. The surface of the attachment stays clean longer and has a smooth, comfortable feel.



## Spray Filter


The contra angle attachment is suitable for a LED light source and has a water filter to prevent clogging of the spray lines. This filter is easily removed for cleaning.

## Glass Rod Light Guide

The glass rod light guide minimizes loss of light intensity and is autoclavable.



# Specifications

TorqTech Attachments			
			
Product Name	TorqTech		
Generic Name	Straight and Geared Contra Angel Attachments		
Model	CA-5IFO	CA-DC-O	STDH
Gear Ratio	5:1 Speed Up	1:1	1:1
Maximum Motor Speed (rpm)	40,000		
Total Length (mm)	94	94	84
Head Height (mm)	14.0	13.3	-
Head Diameter (mm)	9.5	9.5	-
Weight (g)	68	67	72
Glass Rod Light guide	Yes	Yes	-
Ion Plating Treatment	Yes	Yes	Yes
Spray Holes	3	1	1
Spray Filter	Yes	Yes	-
Chuck	Push Button	Push Button	Mechanical Lock
Acceptable Burrs <sup>1</sup>	Shaft Type 3 (FG)	Shaft Type 1 (CA)	Shaft Type 2 (HP)
Acceptable Motors	JIS T5908, JIS T5909, ISO 13294, and ISO 11498 motors with JIS T5904 and ISO 3964 connections.		
Classification	Class II Managed Medical Device with Specified Maintenance Management		

<sup>1</sup> Burrs: ISO 1791 and JIS T5504 burrs. Noted as specified by JIS T 5504-1.

Do not fail to read all documentation and user instructions before using.

Specifications may be changed without notice due to improvements.

## Thinking ahead. Focused on life.

The slogan of Morita literally accompanies us in our decisions. Characterized by Japanese roots, we are setting forth the tradition of working to precision under highest quality demands. This is reflected in the complete product portfolio and shows that each individual product has been thought through in the finest detail. The art of manufacturing high-performance and sophisticated products has been used to considerable benefit by Morita in the course of the company's history and has enabled Morita to establish itself as one of the leading manufacturers of medical-technical products.

Our passion for perfection is a guarantee for comfort and efficiency in the day-to-day running of a doctor's practice. A precondition for this is that we know what users need and that is exactly why working in cooperation with them as partners is so important to us. This provides us with a precise idea of their specific needs and we use this as a starting point in order to create practical innovations. In doing so, we are permanently thinking beyond our own limits and develop new ideas in order to set new trends.

Diagnostic/Imaging Equipment

Treatment Units

Handpieces & Instruments

Endodontic Systems

Laser Equipment

Laboratory Devices

Developed and manufactured by  
**J. Morita Mfg. Corp.**

680, Higashihama Minami-cho, Fushimi-ku, Kyoto,  
612-8533 Japan  
Tel: +81 75 / 611 - 2141, Fax: +81 75 / 622 - 4595,  
<http://www.morita.com>

Distributed by

**J. Morita Corporation**

33-18, 3-Chome, Tarumi-cho Suita City, Osaka, 564-8650 Japan  
Tel: +81 6 / 6380 - 1521, Fax: +81 6 / 6380 - 0585,  
<http://www.morita.com/asia>

**J. Morita Europe GmbH**

Justus-von-Liebig-Straße 27a, 63128 Dietzenbach, Germany  
Tel: +49 6074 / 836 - 0, Fax: +49 6074 / 836 - 299,  
<http://www.morita.com/europe>

**J. Morita ANZ Representative Office**

Suite 2.05, 247 Coward Street, Mascot, NSW 2020, Australia  
Tel: +61 2 / 9667 - 3555, Fax: +61 2 / 9667 - 3577,  
<http://www.morita.com/anz>

**J. Morita Middle East**

Saraya Al Wessam Building, Appt 902 Cross  
Roads Tag Al Roasaa & Abu Heif SabaPacha, Alexandria, 21311, Egypt  
Tel: +203 58 / 222 - 94, Fax: +203 58 / 222 - 96,  
<http://www.morita.com/middleeast>