



SIGNO G10 II

The new feeling
of freedom in dentistry



Thinking ahead. Focused on life.

Greater flexibility



SIGNO G10 II S
whip arm delivery



Greater freedom



SIGNO G10 II OTP
over-the-patient delivery



Greater flexibility: SIGNO G10 II whip arm delivery

The fundamental concept of the SIGNO G10 II is greater freedom – without dispensing with absolute safety. Standard high-quality technology by Morita combines with innovative functions to offer you outstanding results. A high degree of comfort, flexibility, and a sophisticated hygiene design ensure a comfortable environment for you and your patients. The whip arm delivery of the SIGNO G10 II offers a completely new level of flexibility: The combination of a movable swivel arm and widely extended whip arms offers an extraordinarily wide range of movement. And this is only one benefit of many ...



Patient communication



Hygiene



Technical details and options



Overview of equipment details



Comfort during treatment for you



Comfort during treatment for your patients



Overview of features

Do you want to find out more about the benefits of the flexible whip arm concept? Or the intuitive operator panel? Simply select the corresponding section and one click will show you all the relevant details. We also offer a wide range of options.



Detailed overview of features

► Comfort during treatment for you

- Flexible swivel arm for optimal positioning
- Perfect access to all instruments
- Intuitive operator panel
- Safe and ergonomic operation with foot control
- Total illumination with LEDs
- Whip arm with wide range of movement
- Convenient length of instrument hoses
- More options with additional trays
- Unlimited flexibility
- Wide range of instruments
- Comfortable assistant's element
- Even more storage area
- Upright seating

► Comfort during treatment for your patients

- Hydraulic drive for gentle positioning
- Flexible height adjustment for easy entry
- Ergonomic backrest
- Comfortable sitting area
- Comfortable headrest for greater stability
- Armrests designed for support
- Practical assistance

► Patient communication

- LED OP light with foldaway mirror
- Large monitor with connection to the practice network
- Convenient USB port for multimedia

► Hygiene

- Daily hose flushing
- Safe sterilization and water reprocessing systems
- Hands-free operation with foot control
- Easily cleaned cuspidor
- Efficient reprocessing
- Easily sterilized functional parts
- Environmentally compatible disposal



More comfort – greater flexibility for you

You spend most of your day at your workplace, which means ergonomics and workflow are vitally important for you. The SIGNO G10 II S is specifically designed to provide everything you and your team need for treatment, including convenient and comfortable operating stools for dentist and assistant, intuitively operated instruments, well-designed functions with special designs for left-handed users, and an efficient workflow. Take advantage of smart functions that give you the space you need, such as the precisely adjustable spring force of the swivel arm and whip arm.



Comfortable treatment for you

- ▶ Flexible swivel arm for optimal positioning
- ▶ Easy access to all instruments
- ▶ Intuitive operator panel
- ▶ Safe and ergonomic operation with foot control
- ▶ LEDs for ideal lighting
- ▶ Whip arm for wide range of movement
- ▶ Convenient length of instrument hoses
- ▶ Greater flexibility with additional trays
- ▶ Unlimited flexibility
- ▶ Wide range of instruments
- ▶ Comfortable assistant's element
- ▶ Even more storage space
- ▶ Upright seating



More comfort – greater flexibility for you

Flexible swivel arm for optimal positioning

The five-jointed swing arm is equipped with a spring-supported height adjustment mechanism that allows you to adjust the treatment unit to any desired position for treatment. The treatment unit easily rotates through a wide radius, keeping it in reach at all times and ensuring ergonomic access to all instruments in every treatment position. The SIGNO G10 II S ensures that you and your team can work in a relaxed position, even when you're treating a patient alone.

Easy access to all instruments

You decide how you treat your patients: in what position, alone or with a team. Depending on your requirements, you can equip your treatment unit with up to five handpieces. All instruments remain within easy ergonomic reach at all times.



SIGNO G10 II S operator panel

Intuitive operator panel

The operator panel on the operator's element allows you to control the patient chair and instrument functions at the press of a button. The clearly understandable symbols and LED display keep you in control at all times and display all instrument parameters: quick and easy selection of instrument speed, direction of rotation, scaler intensity, instrument spray, and brightness of instrument lighting. You can also save settings for up to five different practitioners, so no preferences are lost.



Ergonomic foot control

Safe and ergonomic operation with foot control

As an alternative to the quick-operation buttons on the operator panel, you can control the patient chair and instrument functions conveniently and hygienically using the foot control. Your hands remain free and you can concentrate totally on the treatment. Its stability, slip-resistance, and ergonomically arranged controls make the foot control an integral part of your workstation – and not just for standard functions.



LunaVue ES

Total illumination with LEDs

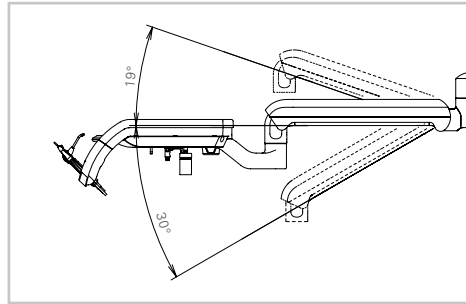
The SIGNO G10 II is equipped as standard with a single LED LunaVue ES OP light. The LED light emits minimal heat and consumes an extremely small amount of power. Twelve powerful LEDs in the optional LunaVue ELII provide even better lighting conditions and a wide and evenly illuminated treatment field – with a light output up to 30,000 lux. In both versions the light can be flexibly and safely positioned with five swivel joints.



More comfort – greater flexibility for you



Five-jointed swivel arm

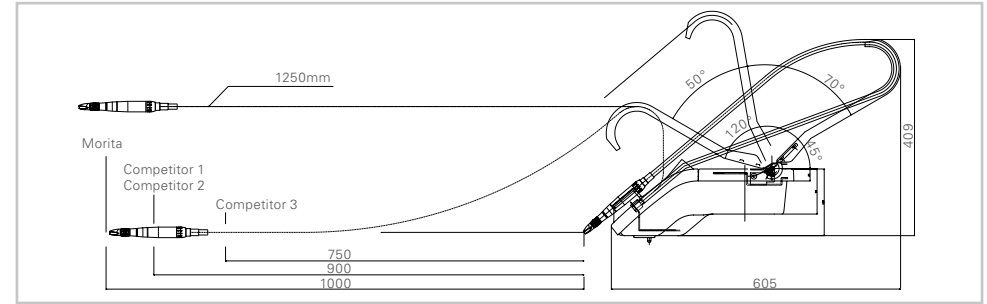


Swivel ranges of the five-jointed swivel arm

Whip arm for wide range of movement

The whip arm delivery of the SIGNO G10 II S gives you greater freedom during your treatments: The whip arms offer a 120° swivel range with not interference from locking functions, especially long usable length of instrument hoses, and the DUAL BALANCE system, which significantly improves the balance of the instruments by a dynamic release of the whip arm.

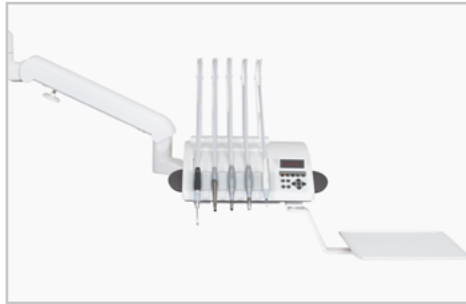
The whip arms are placed in a low position and so give you more freedom for working with the microscope. The flexible movable swivel arm combined with the wide extension of the whip arms gives you an unusually wide radius of movement.



Convenient length of instrument hoses

A comparison with other suppliers reveals the optimal feature package you get with the SIGNO G10 II. The decisive factor for comfort at work is the length of the suspended hose, referred to as the effective hose length. The SIGNO G10 II hoses are also more flexible, which is particularly important for left-handers – because the instrument can only be comfortably used with the left hand if it is attached to a longer hose.

More comfort – greater flexibility for you



Whip arm delivery with two flexibly adjustable tray holders

More options with more trays

With the two swiveling and rotating storage trays, you can position the operator's element exactly where you want it – in any standard treatment position. You also have extra storage areas for your instruments and materials.

Unlimited flexibility

You can mount the tray support on the right, left, or along with a second tray on both sides of the treatment unit. The swivel arm can be positioned straight, flat, or at an angle. The height of the tray can be adjusted up and down for total flexibility.

More comfort – greater flexibility for you

Wide range of instruments

The SIGNO G10 II S has a wide and flexible range of instruments: multifunctional syringe (pen type), one or two turbines with light, one or two Torx micro motors, and an ultrasonic scaler with LED light.



Tokyo series handpiece

Small size. High quality.

The handpieces and contra-angle handpieces of the Tokyo and TorqTech series are perfectly comfortable in the hand, surprisingly compact, and feel great during every treatment. The small instrument heads with diameters between 8.0 and 10.5 mm make it easy to access all treatment areas.



Ultra E turbine

High-performance treatments

Small, ergonomic, and powerful: These are the outstanding features of the two Ultramini Ultra M and Ultra E turbines. Their small size combined with high power mean that they simplify preparation in the molar region with or without a mirror. The Ultra E turbine boasts 20 watts of power with a head diameter of 9 mm and a head height of 12.7 mm. The Ultra M turbine with 18 watts of power has the smallest head in the TwinPower family with a diameter of 9 mm and a height of just 10.6 mm.



Torx TR-91 micro motor

Maximum power to the smallest detail

The brushless Torx TR-91 micro motor is light, powerful, and ergonomic: With a length of 60 mm and a weight of 95 g, it offers a speed range of 100 to 40,000 rpm and can be efficiently used for grinding and preparation.



More comfort – greater flexibility for you

Comfortable assistant's element

The assistant's element integrates practical operator panels for adjusting the patient chair and the cuspidor. The tray can be positioned as needed and enables an upright sitting posture for the assistant that prevents bending of the back.

Everything is right within reach with the flexible pivoting arm of the assistant's element. It provides the assistant with optimal access to all instruments. The extendable arm also makes it easy for you as the practitioner to perform the treatment alone in an ergonomically comfortable position.

Features:

- multifunctional syringe (gun type)
- spray-mist suction device Ø 16 mm, adjustable, with quick-stop and ball joint
- saliva ejector Ø 6 mm, adjustable, with quick-stop
- tray
- operator panel



FreeAction additional tray

Even more storage space

The FreeAction additional tray offers extra storage space and can be easily adjusted for all treatment scenarios. Freely pivoting and ceiling-mounted, you can easily position the tray as required.



Operating stool

Sit upright

Both the dentist's and the assistant's operating stools in the SIGNO G10 II meet all requirements for a healthy and upright posture. Both chairs can be rotated 360°, and they are equipped with five stable casters and a backrest that ensures an upright posture. The armrests on the OS-LNII operating stools provide support during long preparations. An optimal seat height can be easily, conveniently, and hygienically adjusted using the large foot ring. The height of the OS-N assistant's chair can be adjusted with a hand-operated knob.

More comfort – more relaxation for your patients

The objective is to make your patients' visit to the dentist as comfortable as possible. It starts with their easy movement into and out of the treatment unit and continues with a comfortable and adjustable chair position. You are supported by the versatile adjustment options of the SIGNO G10 II S and the elegant and minimalist design of the workstation also helps induce a relaxed environment.



Comfort for your patients during treatment

- ▶ Hydraulic drive for gentle positioning
- ▶ Flexible height adjustment for easy entry
- ▶ Ergonomic backrest
- ▶ Comfortable sitting area
- ▶ Comfortable headrest for greater stability
- ▶ Armrests designed for support
- ▶ Practical assistance



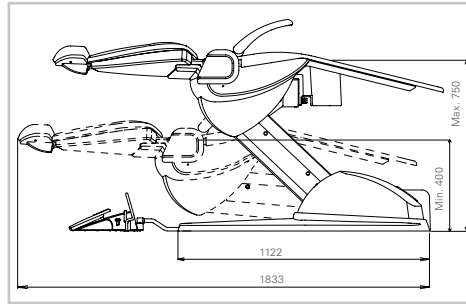
More comfort – more relaxation for your patients



Comfortable patient chair

Hydraulic drive for gentle positioning

The hydraulic drive moves your patients into the required position easily and without perceptible start and stop movements, and ensures that even older and anesthetized patients stay comfortable during treatment. This allows you to focus on your treatment field. And once the OP light has been aligned to the work area, it automatically adjusts every time the patient chair is adjusted.



Adjustable height

Flexible height adjustment for easy entry

With its flexible height adjustment, the SIGNO G10 II S allows the patient chair to be adjusted to very low positions. This feature simplifies the first steps toward successful dental treatment for your small patients or patients with restricted range of movement.



Optimal sitting comfort

Ergonomic backrest

With its ergonomic contour, the upholstery on the backrest is comfortable for the patient and also gives you the best possible access to them.

Comfortable sitting area

The comfortable upholstery in the sitting area helps patients relax. The material of the upholstery has a pleasant, moisture-regulating surface and is available in two texture qualities. Its modern colors also add to the relaxed atmosphere of your office.

Comfortable headrest for greater stability

The soft and extendable headrest can be quickly and easily adjusted for the size of the patient to stabilize the head gently and safely during treatment. The double-jointed headrest is ideal for children or patients with physical restrictions. It has an even greater tilt angle, and can be easily adjusted to any required position with one hand.



More comfort – more relaxation for your patients



Folding armrests

Armrests designed for support

The comfortable and flexible armrests are perfectly adjusted to your patients' needs: The left side offers support when rinsing the mouth, and the right side can be conveniently folded aside for easier access to the chair.



Tray and paper towel dispenser

Practical assistance

Simple and practical: The tray for patient utensils and the dispenser for paper towels also contribute to your patients' comfort.

Better communication – better advice

Good communication inspires trust – which is a good basis for a sustainable dentist-patient relationship. The SIGNO G10 II S offers functions and additional equipment that allow you to demonstrate diagnostic results and treatment stages in a simple and easy-to-understand manner that ensures the best possible communication and consultation with your patients.

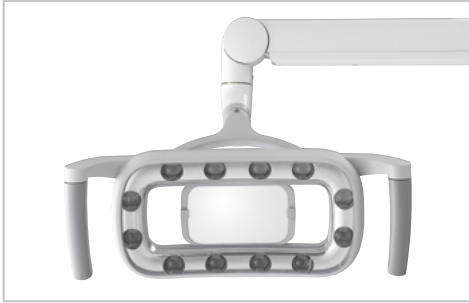


Patient communication

- ▶ LED OP light with foldaway mirror
- ▶ Large monitor with connection to the practice network
- ▶ Convenient USB port for multimedia



Better communication – better advice



Integrated mirror

LED OP light with foldaway mirror

The foldaway mirror can be used to show patients the condition of their teeth. This helps you explain all the required measures before or during treatment.

Large monitor with connection to the practice network

Modern patient advice requires modern media: The 16:9 format of the 22" MDA* Eonis monitor offers a range of connection options to the practice network.

Available video input signals for connecting IT devices like computers, microscope, intraoral camera, DVD player, and tablet: VGA, DisplayPort, and HDMI. Additional ports: USB downstream, USB upstream, and HDMI audio.

Convenient USB port for multimedia

The operator's element has a USB port for a wide range of multimedia applications. For example, you can use it to attach an intraoral camera, mouse, or mobile device.

* MDA - Medical Devices Act

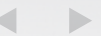
Maximum hygiene standards – maximum efficiency

There can be no compromise on hygiene – which is why the comprehensive hygiene concept of the SIGNO G10 II whip arm delivery uses components designed for maximum hygiene from the ground up. The design makes it easy for you and your team to maintain high standards of hygiene safely and in the least possible time – for more efficient processes and simplified work in your practice. The unit's smooth, hygienic surfaces are easy to clean and the instrument tray and handles are easy to remove and can of course be thermally disinfected or sterilized.

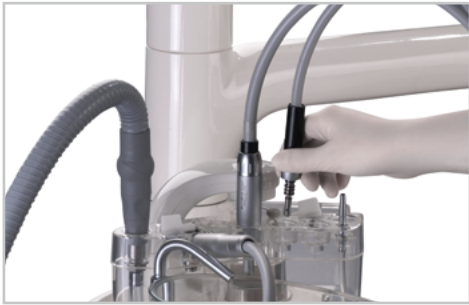


Hygiene

- ▶ Daily hose flushing
- ▶ Safe sterilization and water reprocessing systems
- ▶ Hands-free operation using the foot control
- ▶ Easily cleaned cuspidor
- ▶ Efficient treatment
- ▶ Easily sterilized functional parts
- ▶ Environmentally compatible disposal



Maximum hygiene standards – maximum efficiency



Instruments fit in the adapter for automatic flushing

Daily hose flushing

The flushing system of the SIGNO G10 II S is designed for the simple and reliable daily flushing of instrument hoses that supply water, and is another contribution to hygienic and efficient practice processes.

Safe sterilization and water reprocessing systems

You can always be sure that the water quality is safe with SIGNO G10 II S. It includes systems for continuous sterilization and for regular intensive sterilization.

Sterapore air and water filters:

The medical and regulatory requirements for general water quality are becoming more and more demanding. The water used in your treatment unit must conform to specified conditions. Sterapore filters reliably and effectively filter out bacteria and suspended particles from the water supply.

Integrated water reprocessing:

The Metasys WEK water reprocessing system integrated into the connection box automatically maintains a continuous supply of pure and disinfected water and meets the requirements of EN1717 (cascade). A small amount of H₂O₂ is continuously added to the water as a disinfectant. The automatic hygiene process optimizes the workflow and saves your team additional setup time.

Bottle system:

All instruments and the cuspidor water are supplied with treated water from the bottle. This complies with EN1717 (cascade), and you can decide whether you want to use pure mains water or treat it manually beforehand.

Intensive sterilization:

You can always be sure that the water quality is safe with the bottle system even during intensive sterilization: Reducing bio-film in pipes and cleaning all critical water supply paths becomes a simple and routine process with the bottle system.



Maximum hygiene standards – maximum efficiency



Comfortable foot control for patient chair

Hands-free operation using the foot control

Hands remain free and you can set the most important instrument parameters and patient chair functions with the foot control – and you can even switch the OP light on and off. The result: improved hygiene during all stages of treatment.



Removable ceramic cuspidor

Easy-to-clean cuspidor

The ceramic cuspidor is easy to remove and care for. A special coating on the surface repels bacteria and upholds hygiene. You can also select a transparent cuspidor made of robust glass. Its surfaces are completely smooth and easily cleaned.



Easily serviced filter

Efficient reprocessing

Easy access is essential for effective preparation, cleaning, and care – including use of the vacuum filter and siphon.

Easily sterilized functional parts

The handles of the operator's element and OP light can be easily removed for cleaning. If necessary, they can be thermally disinfected or sterilized. The same also applies to the instrument tray: Because they are made of antistatic material, the surface is dust-repellent, easy to clean, and can also be thermally disinfected or sterilized.

Environmentally compatible disposal

The amalgam separator integrated into the treatment unit allows safe and environmentally compatible disposal of heavy-metal residues.



Features



Technical details and options

► Features

- Patient chair
- Oil hydraulics
- Standard headrest or multi-jointed headrest
- Armrest on dentist side
- Armrest on assistant side
- Backrest
- Foot control
- Operating stool, three versions
- LED OP light, two versions
- Operator's element as whip arm delivery
- USB port on operator's element
- Silicon tray sheet
- 22" monitor on light pole

- Ceiling-mounted additional tray
- Glass or ceramic cuspidor
- Quick connectors for fresh water and compressed air
- Warm-water boiler
- Amalgam separator
- RKI-certified hose flushing system for water hoses
- Sterapore microfilter system for fresh water and compressed air

► Instruments on operator's element

- Instrument trays for up to five instruments
- Up to two pneumatically driven instruments with LED light
- Up to two micromotor connections with Torx TR-91 with LED light
- Multifunction syringe
- Ultrasonic scaler with LED light (Acteon)

► Instruments on assistant's element

- Instrument holder for up to three instruments
- Multifunctional syringe
- Spray-mist suction device
- Saliva ejector

Colors ►

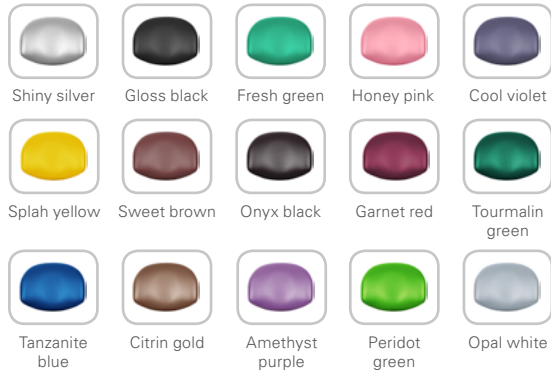


Colors

Assemble your treatment unit to create your own custom design.
Select your upholstery and your cuspidor from the following colors.



Options



Upholstery colors

The color selection for SIGNO G10 II S is easily integrated into any interior design. You decide whether you prefer an active, elegant, dominant, or unobtrusive design. Select from a total of 15 upholstery types.



Cuspidor

Select your preferred type: Cuspidors are available in four unobtrusive glass shades or four solid porcelain colors.

Optimal use of space ►

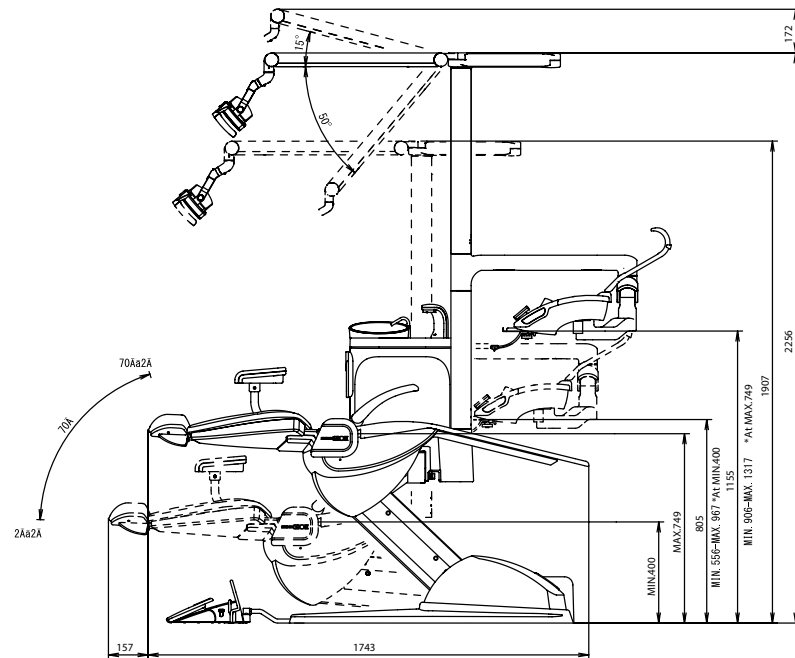
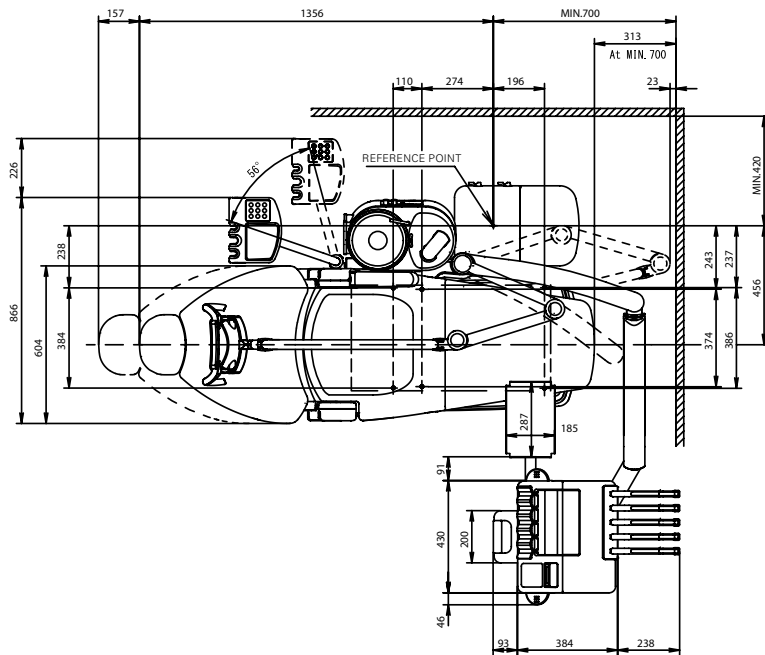


Optimal use of space

The SIGNO G10 II is a compact unit. In the whip arm and over-the-patient delivery, it can easily fit into areas with restricted space or odd angles.



Technical details



Diagnostic and Imaging Equipment

Treatment Units

Handpieces and Instruments

Endodontic Systems

Laser Equipment

Laboratory Devices



Distribution

J. Morita Europe GmbH

Justus-von-Liebig-Str. 27a

63128 Dietzenbach

Germany

T +49. 6074. 836 0, F +49. 6074. 836 299

www.morita.com/europe

Development and Manufacturing

J. Morita Tokyo Mfg. Corp.

7129 Komuro Ina-machi,

Kitaadachi-gun, Saitama

362-0806 Japan

Subject to technical changes and errors.

JME EN PUB 67152 1015 *0

[Back to title page](#) ◀ ◀

Greater freedom: SIGNO G10 II over-the-patient delivery

The basic concept of the SIGNO G10 II is greater freedom – without dispensing with absolute safety. Standard high-quality technology by Morita is combined with innovative functions for outstanding results. A high degree of comfort, flexibility, and comprehensive hygiene design ensure a comfortable environment for you and your patients. The over-the-patient delivery (OTP) of the SIGNO G10 II is extremely flexible. Its five-jointed arm has an extremely large swivel range, allowing the operator's element to be positioned exactly as required.



Patient communication



Hygiene



Technical details and options



Detailed overview of features



Comfort during treatment for you



Comfort during treatment for your patients



Overview of features

Do you want to find out more about the over-the-patient delivery?
Or the intuitive operator panel? Simply select the corresponding
section – and one click will show you all the relevant details.
And we also offer a wide range of options.



Detailed overview of features

► Comfort during treatment for you

- Intuitive operator panel
- Safe and ergonomic operation with foot control
- Total illumination with LEDs
- Total access to all instruments
- Flexible over-the-patient tray for optimal positioning
- Wide range of instruments
- Comfortable assistant's element
- Large storage area
- Upright seating

► Comfort during treatment for your patients

- Hydraulic drive for gentle positioning
- Flexible height adjustment for easy entry
- Ergonomic backrest
- Comfortable sitting area
- Armrests designed for support
- Comfortable headrest for greater stability
- Practical assistance

► Patient communication

- LED OP light with foldaway mirror
- Large monitor with connection to the practice network
- Convenient USB port for multimedia
- Tablet holder simplifies communication

► Hygiene

- Daily hose flushing
- Safe sterilization and water reprocessing systems
- Hands-free operation with the foot control
- Easily cleaned cuspidor
- Efficient treatment
- Easily cleaned and sterilized functional parts
- Environmentally compatible disposal

More comfort – more space for you

You spend most of your day at your workplace, which means that ergonomics and workflow are vitally important for you. The SIGNO G10 II OTP is specifically designed to provide everything you and your team need for treatment, such as convenient and comfortable operating stools for dentist and assistant, intuitively operated instruments, well-designed functions, and an efficient workflow. Take advantage of individual functions to give you the space you need, like the precisely adjustable spring force of the swivel arm.



Comfortable treatment for you

- ▶ Intuitive operator panel
- ▶ Safe and ergonomic operation with foot control
- ▶ LEDs for ideal lighting
- ▶ Easy access to all instruments
- ▶ Flexible over-the-patient tray for optimal positioning
- ▶ Wide range of instrumentation
- ▶ Comfortable assistant's element
- ▶ Large storage area
- ▶ Upright seating



More comfort – more space for you



SIGNO G10 II OTP operator panel



Ergonomic foot control



LunaVue ES

Intuitive operator panel

The operator panel on the operator's element allows you to control the patient chair and instrument functions with the push of a button. The easy-to-understand symbols and LED display keep you in control at all times and show all instrument parameters: quick and easy selection of instrument speed, direction of rotation, scaler intensity, instrument spray, and brightness of instrument lighting.

Safe and ergonomic operation using foot control

As an alternative to the quick-operation buttons on the operator panel, you can control the patient chair and instrument functions conveniently and hygienically with the foot control. Your hands remain free – so you can concentrate totally on the treatment. Its stability, slip-resistance, and the ergonomically arranged controls make the foot control an integral part of your workstation – and not just for standard functions.

Total illumination with LEDs

The SIGNO G10 II is equipped as standard with a single LED LunaVue ES OP light. The LED light emits minimal heat and consumes very little power. Twelve powerful LEDs in the optional LunaVue ELII provide even better lighting conditions and a broad and evenly illuminated treatment field – with a light output up to 30,000 lux. In both versions the light can be flexibly and safely positioned with five swivel joints.

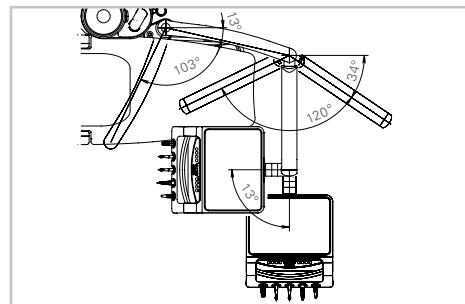
More comfort – more space for you



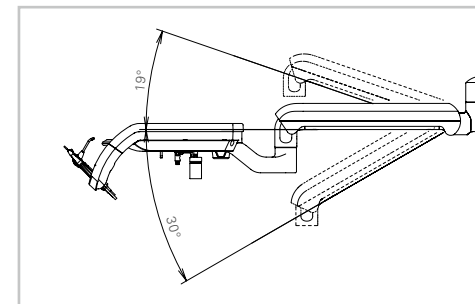
SIGNO G10 II OTP over-the-patient tray



Five-jointed swivel arm



SIGNO G10 II OTP operator's element



Swivel range of the five-jointed swivel arm

Easy access to all instruments

You decide how you treat your patients – in what position, alone or with a team. Depending on your requirements, you can mount up to five handpieces to the operator panel. All instruments remain within easy ergonomic reach at all times.

Flexible over-the-patient tray for optimal positioning

The five-jointed swing arm is equipped with a spring-supported height adjustment mechanism that allows you to adjust the operator panel to any desired position for treatment. Because the arm has an extremely wide swivel range, the operator's element can be positioned exactly as required. And it easily swivels throughout a wide range so you always have what you need in easy reach – ensuring ergonomic access to all your instruments in every treatment position. The SIGNO G10 II OTP lets you and your team remain in a relaxed position, even when you're treating a patient alone.

More comfort – more space for you

Wide range of instruments

The SIGNO G10 II OTP has a wide and flexible range of instruments: multifunctional syringe (pen type), one or two turbines with light, one Torx TR-91 micro motor with LED, and an ultrasonic scaler.



Tokyo series handpiece

Small size. High quality.

The handpieces and contra-angle handpieces of the Tokyo and TorqTech series are perfectly comfortable in the hand, are surprisingly compact, and feel great during every treatment. The small instrument heads with diameters between 8.0 and 10.5 mm make it easy to access all treatment areas.



Ultra E turbine

Treatment with high performance

Small, ergonomic, and powerful: These are the outstanding features of the two Ultramini Ultra M and Ultra E turbines. Their small dimensions combine with high power to simplify preparation in the molar region with or without a mirror. The Ultra E turbine has 20 watts of power with a head diameter of 9 mm and a head height of 12.7 mm. The Ultra M turbine boasts 18 watts of power and the smallest head in the TwinPower family, with diameter of 9 mm and a height of just 10.6 mm.



Torx TR-91 micro motor

Maximum power to the smallest detail

The brushless Torx TR-91 micro motor is light, powerful, and ergonomic. With a length of 60 mm and a weight of 95 g, it offers a speed range of 100 to 40,000 rpm and can be efficiently used for grinding and preparation.



More comfort – more space for you

Comfortable assistant's element

The assistant's element integrates practical operator panels for adjusting the patient chair and the cuspidor. The tray can be positioned as needed and enables an upright sitting posture for the assistant that prevents bending of the back.

Everything within reach with the flexible pivoting arm of the assistant's element. It provides the assistant with optimal access to all instruments. The extendable arm also makes it easy for you as the practitioner to work alone in an ergonomically comfortable position.

Features:

- multifunctional syringe (gun type),
- spray-mist ejector Ø 16 mm, adjustable, with quick-stop and ball joint
- saliva ejector Ø 6 mm, adjustable, with quick-stop
- tray
- operator panel



FreeAction additional tray

Large storage space

The FreeAction additional tray offers extra storage space and can be easily adjusted for all treatment scenarios. Freely pivoting and ceiling-mounted, you can easily position the tray as needed.



Operating stool

Upright seating

Both the dentist's and assistant's operating stools in the SIGNO G10 II unit meet all requirements for a healthy and upright posture. Both chairs can be rotated 360°, and they are equipped with five stable casters and a backrest that ensures an upright posture. The armrests on the OS-LNII operating stools provide support during long preparations. An optimal seat height can be easily, conveniently, and hygienically adjusted with the large foot ring. The height of the OS-N assistant's chair can be adjusted with a hand-operated knob.

More comfort – more relaxation for your patients

The objective is to make their visit to the dentist as comfortable as possible for your patients. It starts with easy access into and out of the treatment unit and continues with a comfortable adjustable position for the patient. You are supported by the versatile adjustment options of the SIGNO G10 II OTP and the elegant, minimalist design of the workstation also helps induce a relaxed environment.



Comfort during treatment for your patients

- ▶ Hydraulic drive for gentle positioning
- ▶ Flexible height adjustment for easy entry
- ▶ Ergonomic backrest
- ▶ Comfortable sitting area
- ▶ Armrests designed for support
- ▶ Comfortable headrest for greater stability
- ▶ Practical assistance



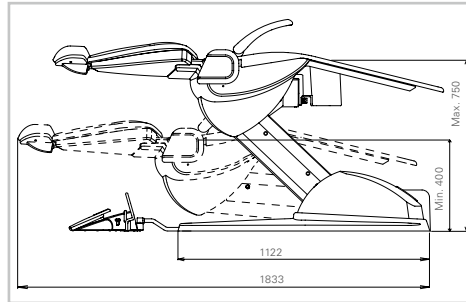
More comfort – more relaxation for your patients



Comfortable patient chair

Hydraulic drive for gentle positioning

The hydraulic drive moves your patients into the required position easily and without perceptible start and stop movements, and ensures that even older and anesthetized patients stay comfortable during treatment. This allows you to focus on your treatment field. Once the OP light has been aligned to the work area, it automatically adjusts every time the patient chair is adjusted.



Adjustable height

Flexible height adjustment for easy entry

With its flexible height adjustment, the SIGNO G10 II OTP allows the patient chair to be adjusted to very low positions. This feature simplifies the first steps toward successful dental treatment for your small patients or patients with a restricted range of movement.



Optimal sitting comfort

Ergonomic backrest

With its ergonomic contour, the upholstery on the backrest is comfortable for patients and also gives you the best possible access to them.

Comfortable sitting area

The comfortable upholstery in the sitting area helps patients relax. The upholstery's material has a pleasant, moisture-regulating surface and is available in two texture qualities. Its modern colors also add to the relaxed atmosphere of your office.

Comfortable headrest for greater stability

The soft and extendable headrest can be quickly and easily adjusted to the size of the patient, and it gently and safely stabilizes the patient's head during treatment. The double-jointed headrest is ideal for children or patients with physical restrictions. It has an even greater tilt angle and can be easily adjusted to any required position with one hand.



More comfort – more relaxation for your patients



Folding armrests

Armrests designed for support

The comfortable and flexible armrests are perfectly adjusted to the patients' requirements: The left side offers support when rinsing the mouth and the right side can be easily folded aside for easier access to the chair.



Tray and paper towel dispenser

Practical assistance

Simple and practical: The tray for patient utensils and the dispenser for paper towels also contribute to your patients' the comfort.

Better communication – better advice

Good communication inspires trust – which is a good basis for a sustainable dentist-patient relationship. The SIGNO G10 II OTP offers functions and additional equipment that allow you to demonstrate diagnostic results and treatment stages in a simple and easy-to-understand manner to ensure the best possible communication and consultation with your patients.



Patient communication

- ▶ LED OP light with foldaway mirror
- ▶ Large monitor with connection to the practice network
- ▶ Convenient USB port for multimedia
- ▶ Tablet holder simplifies communication



Better communication – better advice



Integrated mirror

LED OP light with foldaway mirror

The foldaway mirror can be used to show patients the condition of their teeth. This helps you explain all of the required measures before or during treatment.

Large monitor with connection to the practice network

Modern patient advice requires modern media: The 16:9 format of the 22" MDA* Eonis monitor offers a wide range of connection options to the practice network.

Available video input signals for connecting IT devices like computers, microscope, intraoral camera, DVD player, or tablet: VGA, DisplayPort, and HDMI. Additional ports: USB downstream, USB upstream, and HDMI audio.

Convenient USB port for multimedia

The operator's element has a USB port for a wide range of multimedia applications. For example, you can use it to attach an intraoral camera, mouse, or mobile device.

Tablet holder simplifies communication

An iPad or tablet simplifies communication with your patients. They can be easily integrated with the SIGNO G10 II OTP wirelessly via WiFi or Bluetooth. You can show your patient before-and-after photos or information about the pending treatment. Or you can use the tablet in your daily work in the practice: to take notes, read interesting professional articles, or discuss cases with your colleagues.

* MDA - Medical Devices Act

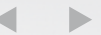
Maximum hygiene standards – maximum efficiency

There can be no compromise on hygiene – which is why the comprehensive hygiene concept of the SIGNO G10 II OTP uses components designed for hygiene from the ground up. The design makes it easy for you and your team to maintain high standards of hygiene safely in a minimum amount of time – for efficient processes and simplified workflows in your practice. The smooth, hygienic surfaces are easy to clean and the handles are easy to remove, and of course they can be thermally disinfected or sterilized.



Hygiene

- ▶ Daily hose flushing
- ▶ Safe sterilization and water reprocessing systems
- ▶ Hands-free operation with the foot control
- ▶ Easily cleaned cuspidor
- ▶ Efficient reprocessing
- ▶ Easily cleaned and sterilized functional parts
- ▶ Environmentally compatible disposal



Maximum hygiene standards – maximum efficiency



Instruments fit in the adapter for automatic flushing

Daily hose flushing

The flushing system of the SIGNO G10 II OTP is designed for the simple and reliable daily flushing of instrument hoses that supply water, and is another contribution to hygienic and efficient practice processes.

Safe sterilization and water reprocessing systems

You can always be sure that the water quality is safe with SIGNO G10 II OTP. It includes effective systems for continuous sterilization and for occasional intensive sterilization

Sterapore air and water filters:

The medical and regulatory requirements for general water quality are becoming more and more demanding. The water used in your treatment unit must conform to specified conditions. Sterapore reliably and effectively filter out bacteria and suspended particles from the water supply.

Integrated water reprocessing:

The Metasys WEK water reprocessing system integrated into the connection box automatically maintains a continuous supply of pure and disinfected water and meets the requirements of EN1717 (cascade). A small amount of H_2O_2 is continuously added to the water as a disinfectant. The automatic hygiene process optimizes the workflow and saves your team additional setup time.

Bottle system:

All instruments and the cuspidor water are supplied with treated water from the bottle. This complies with EN1717 (cascade), and you can decide whether you use pure mains water or treat it manually beforehand.

Intensive sterilization:

You can always be sure that the water quality is safe with the bottle system, even during intensive sterilization: Reducing biofilm in pipes and cleaning all critical water supply paths becomes a simple and routine process with the bottle system.

Maximum hygiene standards – maximum efficiency



Comfortable foot control for patient chair

Hands-free operation of the foot control

Hands remain free, and you can set the most important instrument parameters and patient chair function with the foot control – you can even switch the OP light on and off. The result: improved hygiene during all steps of treatment.



Removable ceramic cuspidor

Easy-to-clean cuspidor

The ceramic cuspidor is easy to remove and care for. A special coating on the surface repels bacteria and upholds hygiene. You can also select a transparent cuspidor made of robust glass. Its surfaces are completely smooth and easily cleaned.



Easily serviced filter

Efficient reprocessing

Easy access is essential for effective preparation, cleaning, and care – including use of the vacuum filter and siphon.

Easily cleaned and sterilized functional parts

The handles of the the OP light can be easily removed for cleaning. If necessary, they can be thermally disinfected or sterilized. With its materials and surface properties, SIGNO G10 II provides the appropriate basis for efficient and safe hygiene: All areas of relevance for hygiene are easily accessible so that the hygiene process can be completed quickly after the treatment of each patient.

Environmentally compatible disposal

The amalgam separator integrated into the treatment unit allows the safe and environmentally compatible disposal of heavy-metal residues.

Features



Technical details and options

► Features

- Patient chair
- Oil hydraulics
- Standard headrest or multi-jointed headrest
- Armrest on dentist side
- Armrest on assistant side
- Backrest
- Foot control
- Operating stool, three versions
- LED OP light, two versions
- Operator's element as over-the-patient delivery
- USB port on operator's element

- Tablet holder on operator's element
- Silicon tray sheet
- 22" monitor on light pole
- Ceiling-mounted additional tray
- Glass or ceramic cuspidor
- Quick connectors for fresh water and compressed air
- Warm-water boiler
- Amalgam separator
- RKI-certified hose flushing system for water hoses
- Sterapore microfilter system for fresh water and compressed air

► Instruments on operator's element

- Instrument holder for up to five instruments
- Up to two pneumatically driven instruments with LED light
- One micro motor connection with Torx TR-91 with LED light
- Multifunctional syringe
- Ultrasonic scaler with LED light (Acteon)

► Instruments on assistant's element

- Instrument holder for up to three instruments
- Multifunctional syringe
- Spray-mist suction device
- Saliva ejector

Colors ►

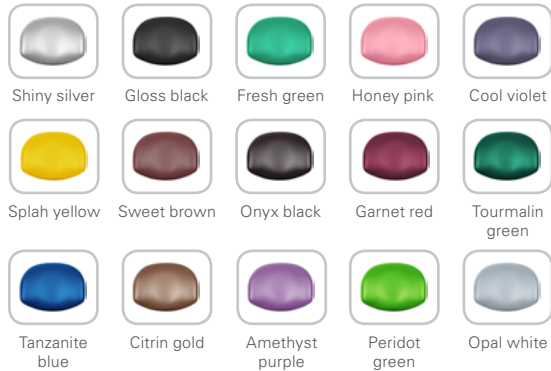


Colors

Assemble your treatment unit to create your own custom unit.
Select your upholstery and your cuspidor from the following colors.



Options



Upholstery colors

The color selection for SIGNO G10 II S is easily integrated into any interior design. You decide whether you prefer an active, elegant, dominant, or unobtrusive design. Select from a total of 15 upholstery types.



Cuspidor

Select your preferred type: cuspidors available in four unobtrusive glass shades or four solid porcelain colors.

Optimal use of space ►

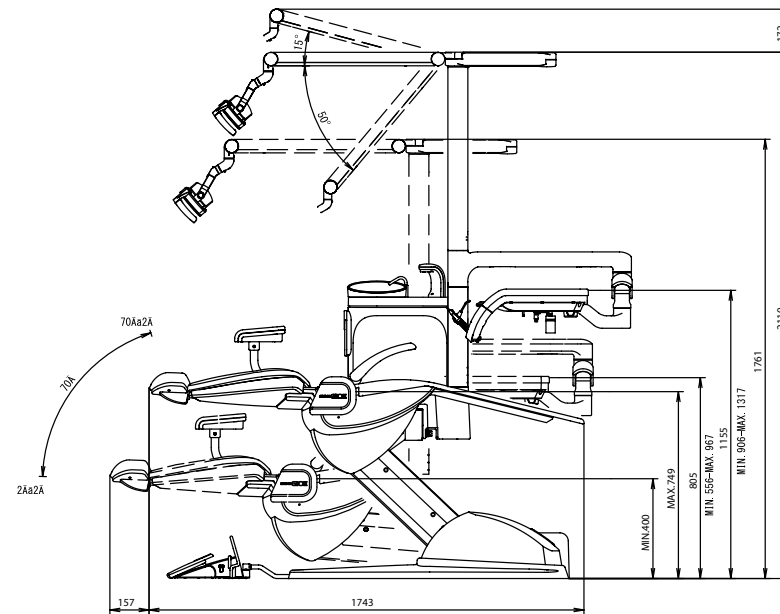
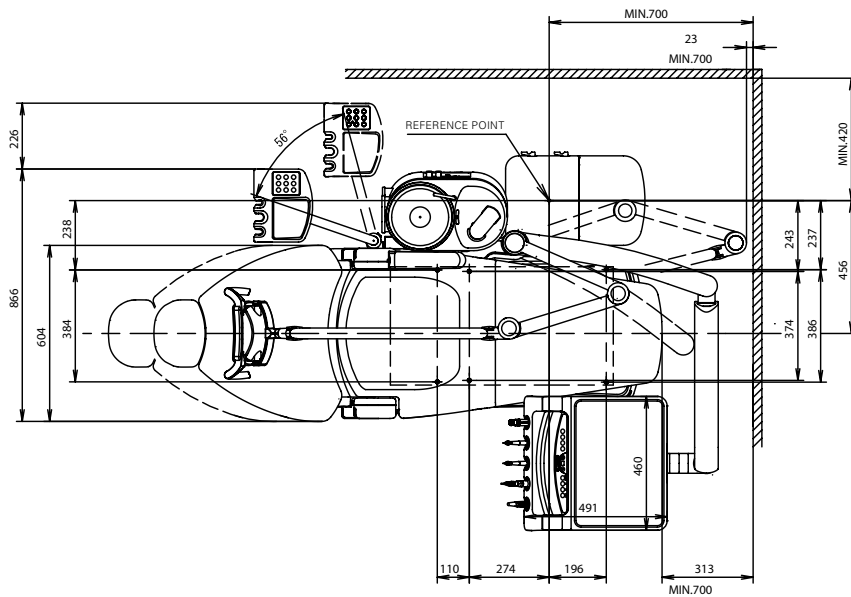


Optimal use of space

The SIGNO G10 II is a compact unit. In the over-the-patient and whip arm delivery, it can easily fit into areas with restricted space or odd angles.



Technical details and options



Diagnostic and Imaging Equipment

Treatment Units

Handpieces and Instruments

Endodontic Systems

Laser Equipment

Laboratory Devices



Distribution

J. Morita Europe GmbH

Justus-von-Liebig-Str. 27a

63128 Dietzenbach

Germany

T +49. 6074. 836 0, F +49. 6074. 836 299

www.morita.com/europe

Development and Manufacturing

J. Morita Tokyo Mfg. Corp.

7129 Komuro Ina-machi,

Kitaadachi-gun, Saitama

362-0806 Japan

Subject to technical changes and errors.

JME EN PUB 67152 1015 *0

[Back to title page](#)

